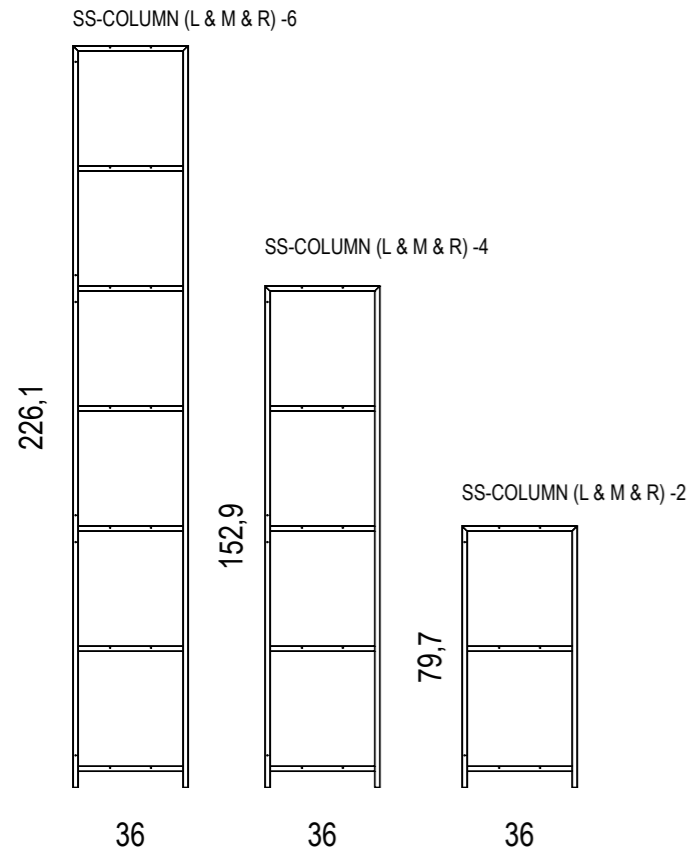


Shelf & Box System
CODE SAMPLE

Shelf & Box System
SAMPLE ORDER CODES

Standart column measures (cm)

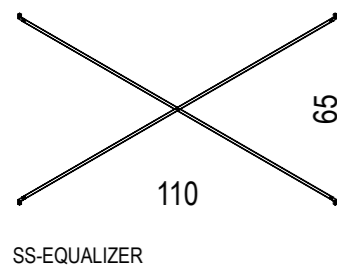
Metal colors : "Category (B & B⁺)"



Note: L & M & R = Left & Middle & Right

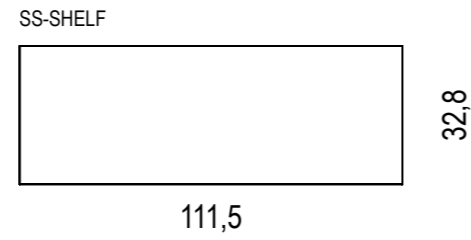
Equalizer

Metal colors : "Category (B & B⁺)"



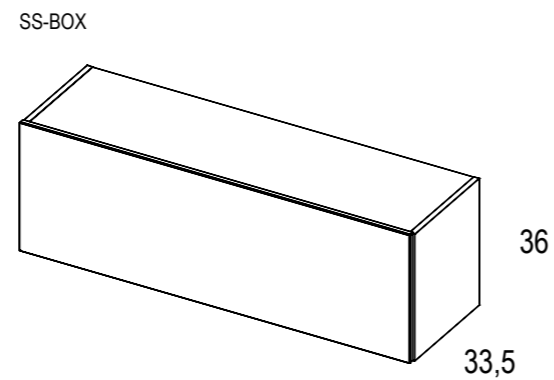
Shelf

Colors : "Category (A, C, C⁺ & D)"



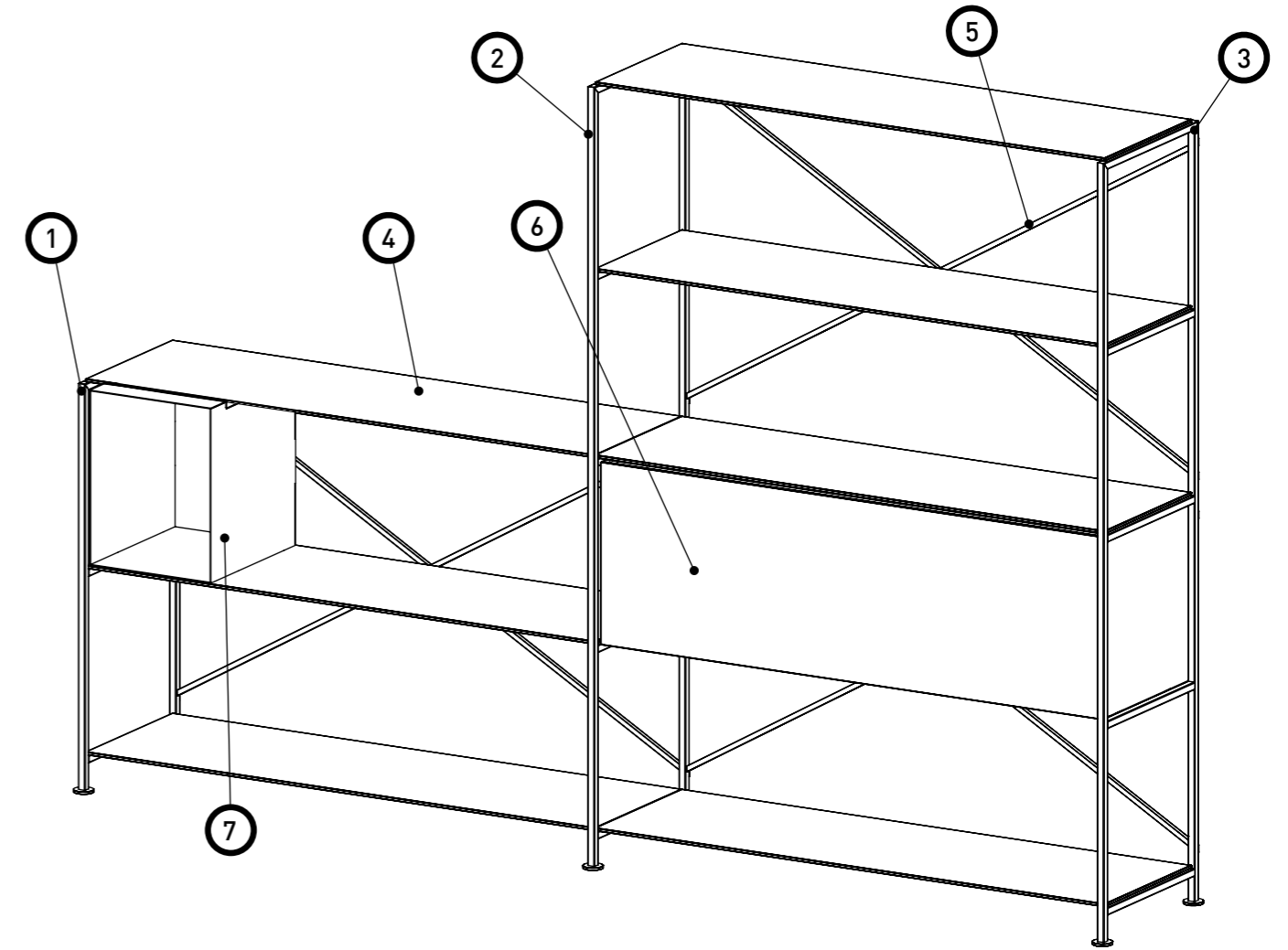
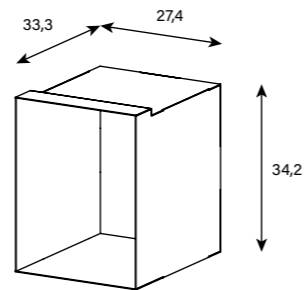
Storage Box

Door Colors & Decors : "Category (A, B, B⁺, C, D)"
 *Body only black and white.



Book Case

Metal colors : "Category (B & B⁺)"



COLUMNS:

- 1. SS-COLUMN LEFT-2-WHT X1
- 2. SS-COLUMN MIDDLE-4-WHT X1
- 3. SS-COLUMN RIGHT-4-WHT X1

SHELVES:

- 4. SS-SHELF-WHT -WHTC X7

EQUALIZERS:

- 5. SS-EQUALIZER-WHT X3

STORAGE BOX:

- 6. SS-BOX-WHT-PLS X1

BOOK CASE:

- 7. SS-BC-WHT-PLS X1